



AIR PILOTED VALVE ACTUATORS

MINIMUM PRESSURE REQUIRED (psig)*											
Clippard Valve	Pressure (psig)					Clippard Valve	Pressure (psig)				
	w/MPA3	w/MPA-5	w/MPA-7	w/MPA-10	w/MVA-10		w/MPA3	w/MPA-5	w/MPA-7	w/MPA-10	w/MVA-10
ES-1 Switch	12	4	2	n/a	n/a	FV-3	41	15	7.5	4.0	8.2
MAV-2 Valve	23	8	4	2.0	4.2	FV-3P	41	15	7.5	4.0	8.2
MAV-3 Valve	23	8	4	2.0	4.2	FV-4	41	15	7.5	4.0	8.2
MAV-4 Valve	36	11	5.5	3.5	7.2	FV-4P	41	15	7.5	4.0	8.2
MJV-4 Valve	36	11	5.5	3.5	7.2	FV-5	41	15	7.5	4.0	8.2
MAV-4D Valve	13	4	1.5	1.0	2.0	FV-5P	41	15	7.5	4.0	8.2
MJV-4D Valve	13	4	1.5	1.0	2.0	FV-3D	14	5	2.5	1.5	3.2
MJV-2 Valve	30	10	5	3.0	6.2	FV-3DP	14	5	2.5	1.5	3.2
MJV-3 Valve	30	10	5	3.0	6.2	FV-4D	14	5	2.5	1.5	3.2
MAVO-2 Valve	27	9	4.5	2.5	5.2	FV-4DP	14	5	2.5	1.5	3.2
MAVO-3 Valve	27	9	4.5	2.5	5.2	FV-5D	14	5	2.5	1.5	3.2
MJVO-2 Valve	30	10	5	3.0	6.2	FV-5DP	14	5	2.5	1.5	3.2
MJVO-3 Valve	30	10	5	3.0	6.2						

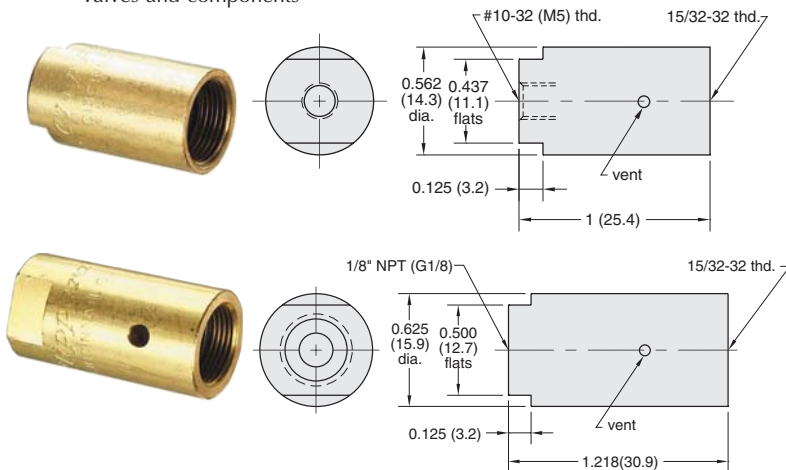
*with 100 psig to valve inlet

Single Acting Air Pilot Actuators

Input Pressure: 250 psig/17 bar max.

Construction: Body - brass; Springs - stainless steel; Seals - Buna-N rubber; Piston - Delrin®

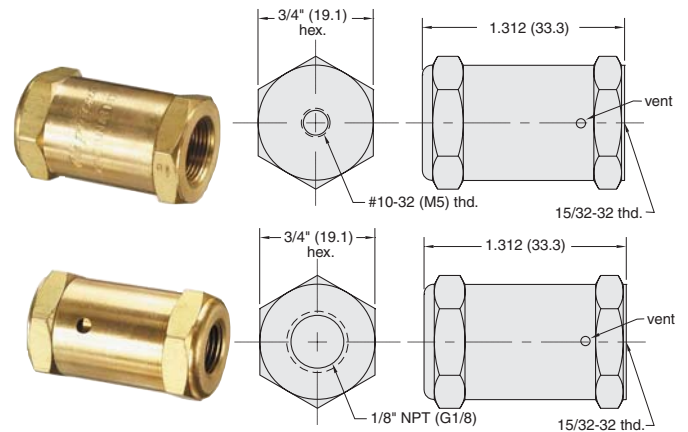
Mounting: #15/32-32 female thread to mount to Clippard miniature valves and components



Bore Size: 0.375 (9.5)

Force Factor: 0.1

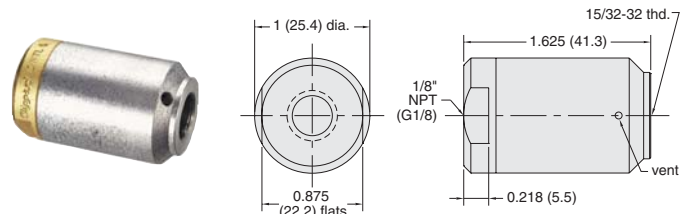
Part No.	Description
<u>MPA-3</u>	Single Acting, Spring Return Actuator, #10-32
<u>MPA-3-M5</u>	Single Acting, Spring Return Actuator, M5
<u>MPA-3P</u>	Single Acting, Spring Return Actuator, 1/8" NPT
<u>MPA-3-MG</u>	Single Acting, Spring Return Actuator, G1/8



Bore Size: 0.625 (15.9)

Force Factor: 0.3

Part No.	Description
<u>MPA-5</u>	Single Acting, Spring Return Actuator, #10-32
<u>MPA-5-M5</u>	Single Acting, Spring Return Actuator, M5 Metric
<u>MPA-5P</u>	Single Acting, Spring Return Actuator, 1/8" NPT
<u>MPA-5-MG</u>	Single Acting, Spring Return Actuator, G1/8



Bore Size: 0.875" (22.2) dia.

Force Factor: 0.6

Part No.	Description
<u>MPA-7</u>	Single Acting, Spring Return Actuator, 1/8" NPT
<u>MPA-7-MG</u>	Single Acting, Spring Return Actuator, G1/8